

ADC1003S030/040/050

Single 10 bits ADC, up to 30 MHz, 40 MHz or 50 MHz, with voltage regulator

Rev. 02 — 7 August 2008

Product data sheet

1. General description

The ADC1003S030/040/050 are a family of 10-bit high-speed low-power Analog-to-Digital Converters (ADC) for professional video and other applications. They convert the analog input signal into 10-bit binary-coded digital words at a maximum sampling rate of 50 MHz. All digital inputs and outputs are Transistor-Transistor Logic (TTL) and CMOS compatible, although a low-level sine wave clock input signal is allowed.

The device includes an internal voltage reference regulator. If the application requires that the reference is driven via external sources the recommendation is to use one of the ADC1004S030/040/050 family.

2. Features

- 10-bit resolution
- Sampling rate up to 50 MHz
- DC sampling allowed
- One clock cycle conversion only
- High signal-to-noise ratio over a large analog input frequency range (9.3 effective bits at 4.43 MHz full-scale input at $f_{\text{clk}} = 40$ MHz)
- No missing codes guaranteed
- In-Range (IR) CMOS output
- Levels TTL and CMOS compatible digital inputs
- 3 V to 5 V CMOS digital outputs
- Low-level AC clock input signal allowed
- Internal reference voltage regulator
- Power dissipation only 235 mW (typical)
- Low analog input capacitance, no buffer amplifier required
- No sample-and-hold circuit required

3. Applications

High-speed analog-to-digital conversion for:

- Video data digitizing
- Radar
- Transient signal analysis
- Global Positioning System (GPS) receiver
- $\Sigma\Delta$ modulators

- Cellular based stations
- Barcode scanner
- Medical imaging

4. Quick reference data

Table 1. Quick reference data

$V_{CCA} = V3$ to $V4 = 4.75$ V to 5.25 V; $V_{CCD} = V11$ to $V12$ and $V28$ to $V27 = 4.75$ V to 5.25 V; $V_{CCO} = V13$ to $V14 = 3.0$ V to 5.25 V; AGND and DGND shorted together; $T_{amb} = 0$ °C to 70 °C; typical values measured at $V_{CCA} = V_{CCD} = 5$ V and $V_{CCO} = 3.3$ V; $C_L = 15$ pF and $T_{amb} = 25$ °C; unless otherwise specified.

Symbol	Parameter	Conditions	Min	Typ	Max	Unit
V_{CCA}	analog supply voltage		4.75	5.0	5.25	V
V_{CCD}	digital supply voltage		4.75	5.0	5.25	V
V_{CCO}	output supply voltage		3.0	3.3	5.25	V
I_{CCA}	analog supply current		-	30	35	mA
I_{CCD}	digital supply current		-	16	21	mA
I_{CCO}	output supply current	$f_{clk} = 40$ MHz; ramp input	-	1	2	mA
INL	integral non-linearity	$f_{clk} = 40$ MHz; ramp input	-	±0.8	±2.0	LSB
DNL	differential non-linearity	$f_{clk} = 40$ MHz; ramp input	-	±0.5	±0.9	LSB
$f_{clk(max)}$	maximum clock frequency	ADC1003S030TS	30	-	-	MHz
		ADC1003S040TS	40	-	-	MHz
		ADC1003S050TS	50	-	-	MHz
P_{tot}	total power dissipation	$f_{clk} = 40$ MHz; ramp input	-	235	305	mW

5. Ordering information

Table 2. Ordering information

Type number	Package			Version	Sampling frequency (MHz)
	Name	Description			
ADC1003S030TS	SSOP28	plastic shrink small outline package; 28 leads; body width 5.3 mm		SOT341-1	30
ADC1003S040TS	SSOP28	plastic shrink small outline package; 28 leads; body width 5.3 mm		SOT341-1	40
ADC1003S050TS	SSOP28	plastic shrink small outline package; 28 leads; body width 5.3 mm		SOT341-1	50

6. Block diagram

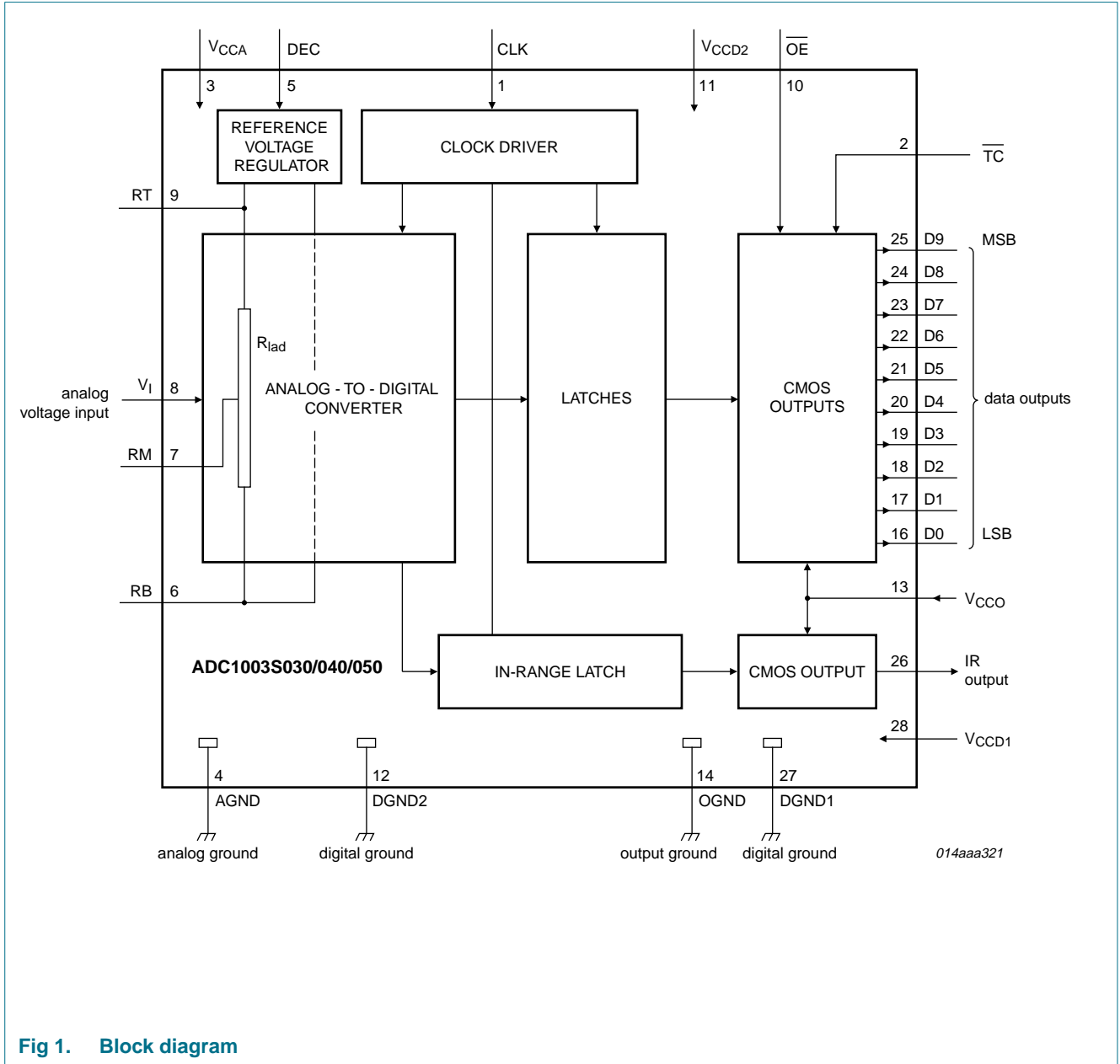


Fig 1. Block diagram

7. Pinning information

7.1 Pinning

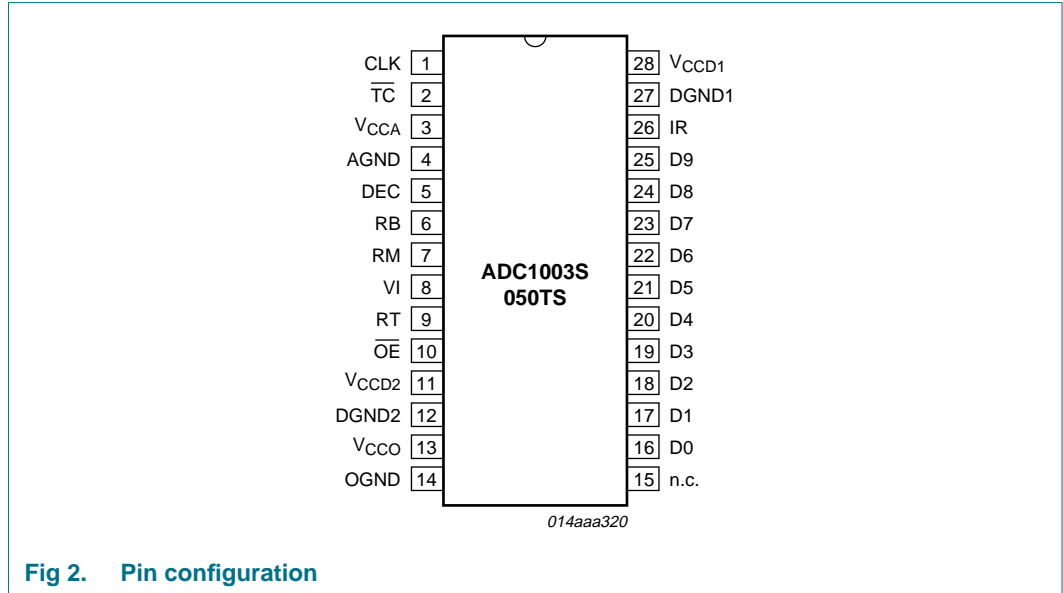


Fig 2. Pin configuration

7.2 Pin description

Table 3. Pin description

Symbol	Pin	Description
CLK	1	clock input
\overline{TC}	2	two's complement input (active LOW)
V _{CCA}	3	analog supply voltage (5 V)
AGND	4	analog ground
DEC	5	decoupling input
RB	6	reference voltage BOTTOM input
RM	7	reference voltage MIDDLE
VI	8	analog input voltage
RT	9	reference voltage TOP input
\overline{OE}	10	output enable input (CMOS level input, active LOW)
V _{CCD2}	11	digital supply voltage 2 (5 V)
DGND2	12	digital ground 2
V _{CCO}	13	supply voltage for output stages (3 V to 5 V)
OGND	14	output ground
n.c.	15	not connected
D0	16	data output; bit 0 (Least Significant Bit (LSB))
D1	17	data output; bit 1
D2	18	data output; bit 2
D3	19	data output; bit 3

Table 3. Pin description ...continued

Symbol	Pin	Description
D4	20	data output; bit 4
D5	21	data output; bit 5
D6	22	data output; bit 6
D7	23	data output; bit 7
D8	24	data output; bit 8
D9	25	data output; bit 9 (Most Significant Bit (MSB))
IR	26	in-range data output
DGND1	27	digital ground 1
V _{CCD1}	28	digital supply voltage 1 (5 V)

8. Limiting values

Table 4. Limiting values

In accordance with the Absolute Maximum Rating System (IEC 60134).

Symbol	Parameter	Conditions	Min	Max	Unit
V _{CCA}	analog supply voltage		[1] -0.3	+7.0	V
V _{CCD}	digital supply voltage		[1] -0.3	+7.0	V
V _{CCO}	output supply voltage	staged	[1] -0.3	+7.0	V
ΔV_{CC}	supply voltage difference	V _{CCA} - V _{CCD}	-1.0	+1.0	V
		V _{CCA} - V _{CCO}	-1.0	+4.0	V
		V _{CCD} - V _{CCO}	-1.0	+4.0	V
V _I	input voltage	referenced to AGND	-0.3	+7.0	V
V _{i(clk)(p-p)}	peak-to-peak clock input voltage	referenced to DGND	-	V _{CCD}	V
I _O	output current		-	10	mA
T _{stg}	storage temperature		-55	+150	°C
T _{amb}	ambient temperature		-40	+85	°C
T _j	junction temperature		-	150	°C

[1] The supply voltages V_{CCA}, V_{CCD} and V_{CCO} may have any value between -0.3 V and +7.0 V provided that the supply voltage differences ΔV_{CC} are respected.

9. Thermal characteristics

Table 5. Thermal characteristics

Symbol	Parameter	Conditions	Typ	Unit
R _{th(j-a)}	thermal resistance from junction to ambient	in free air	110	K/W

10. Characteristics

Table 6. Characteristics

$V_{CCA} = V3$ to $V4 = 4.75$ V to 5.25 V; $V_{CCD} = V11$ to $V12$ and $V28$ to $V27 = 4.75$ V to 5.25 V; $V_{CCO} = V13$ to $V14 = 3.0$ V to 5.25 V; AGND and DGND shorted together; $T_{amb} = 0$ °C to 70 °C; typical values measured at $V_{CCA} = V_{CCD} = 5$ V and $V_{CCO} = 3.3$ V; $C_L = 15$ pF and $T_{amb} = 25$ °C; unless otherwise specified.

Symbol	Parameter	Conditions	Min	Typ	Max	Unit
Supplies						
V_{CCA}	analog supply voltage		4.75	5.0	5.25	V
V_{CCD}	digital supply voltage		4.75	5.0	5.25	V
V_{CCO}	output supply voltage		3.0	3.3	5.25	V
ΔV_{CC}	supply voltage difference	$V_{CCA} - V_{CCD}$	-0.2	-	+0.20	V
		$V_{CCA} - V_{CCO}$	-0.2	-	+2.25	V
		$V_{CCA} - V_{CCO}$	-0.2	-	+2.25	V
I_{CCA}	analog supply current		-	30	35	mA
I_{CCD}	digital supply current		-	16	21	mA
I_{CCO}	output supply current	$f_{clk} = 40$ MHz; ramp input	-	1	2	mA
P_{tot}	total power dissipation	$f_{clk} = 40$ MHz; ramp input	-	235	305	mW

Inputs

Clock input CLK (referenced to DGND)^[1]

V_{IL}	LOW-level input voltage		0	-	0.8	V
V_{IH}	HIGH-level input voltage		2	-	V_{CCD}	V
I_{IL}	LOW-level input current	$V_{clk} = 0.8$ V	-1	0	+1	μA
I_{IH}	HIGH-level input current	$V_{clk} = 2$ V	-	2	10	μA
Z_i	input impedance	$f_{clk} = 40$ MHz	-	2	-	kΩ
C_i	input capacitance		-	2	-	pF

Inputs \overline{OE} and \overline{TC} (referenced to DGND)

V_{IL}	LOW-level input voltage		0	-	0.8	V
V_{IH}	HIGH-level input voltage		2	-	V_{CCD}	V
I_{IL}	LOW-level input current	$V_{IL} = 0.8$ V	-1	-	-	μA
I_{IH}	HIGH-level input current	$V_{IH} = 2$ V	-	-	1	μA

VI (Analog input voltage referenced to AGND)

I_{IL}	LOW-level input current	$V_I = V_{RB} = 1.3$ V	-	0	-	μA
I_{IH}	HIGH-level input current	$V_I = V_{RT} = 3.67$ V	-	35	-	μA
Z_i	input impedance	$f_i = 4.43$ MHz	-	8	-	kΩ
C_i	input capacitance		-	5	-	pF

Reference voltages for the resistor ladder using the internal voltage regulator see [Table 7](#)

V_{RB}	voltage on pin RB		1.1	1.3	1.5	V
V_{RT}	voltage on pin RT		3.4	3.6	3.8	V
$V_{ref(dif)}$	differential reference voltage	$V_{RT} - V_{RB}$	2.25	2.3	2.35	V
I_{ref}	reference current		-	9.39	-	mA

Single 10 bits ADC, up to 30 MHz, 40 MHz or 50 MHz, with voltage regulator

Table 6. Characteristics ...continued

$V_{CCA} = V3$ to $V4 = 4.75$ V to 5.25 V; $V_{CCD} = V11$ to $V12$ and $V28$ to $V27 = 4.75$ V to 5.25 V;
 $V_{CCO} = V13$ to $V14 = 3.0$ V to 5.25 V; AGND and DGND shorted together; $T_{amb} = 0$ °C to 70 °C; typical values measured at
 $V_{CCA} = V_{CCD} = 5$ V and $V_{CCO} = 3.3$ V; $C_L = 15$ pF and $T_{amb} = 25$ °C; unless otherwise specified.

Symbol	Parameter	Conditions	Min	Typ	Max	Unit
R_{lad}	ladder resistance		-	245	-	Ω
TC_{Rlad}	ladder resistor temperature coefficient		-	456	-	m Ω /K
V_{offset}	offset voltage	BOTTOM	[2] -	175	-	mV
		TOP	[2] -	175	-	mV
$V_{i(a)(p-p)}$	peak-to-peak analog input voltage		[3] 1.90	1.95	2.00	V

Digital outputs D9 to D0 and IR (Referenced to OGND)

V_{OL}	LOW-level output voltage	$I_{OL} = 1$ mA	0	-	0.5	V
V_{OH}	HIGH-level output voltage	$I_{OH} = -1$ mA	$V_{CCO} - 0.5$	-	V_{CCO}	V
I_{OZ}	OFF-state output current	0.5 V < V_O < V_{CCO}	-20	-	+20	μ A

Switching characteristics; clock input CLK see Figure 4; [1]

$f_{clk(max)}$	maximum clock frequency	ADC1003S030TS	30	-	-	MHz
		ADC1003S040TS	40	-	-	MHz
		ADC1003S050TS	50	-	-	MHz
$t_{w(ck)H}$	HIGH clock pulse width	full effective bandwidth	8.5	-	-	ns
$t_{w(ck)L}$	LOW clock pulse width	full effective bandwidth	5.5	-	-	ns

Analog signal processing**Linearity**

INL	integral non-linearity	$f_{clk} = 40$ MHz; ramp input	-	± 0.8	± 2.0	LSB
DNL	differential non-linearity	$f_{clk} = 40$ MHz; ramp input	-	± 0.5	± 0.9	LSB
E_{offset}	offset error	middle code	-	± 1	-	LSB
E_G	gain error	from device to device, using internal reference voltage	[4] -	± 3	-	%

Bandwidth ($f_{clk} = 40$ MHz)

B	bandwidth	full-scale sine wave	[5] -	15	-	MHz
		75 % full-scale sine wave	[5] -	20	-	MHz
		small signal at mid-scale; $V_I = \pm 10$ LSB at code 512	[5] -	350	-	MHz
$t_{s(LH)}$	LOW to HIGH settling time	full-scale square wave; see Figure 6	[6] -	1.5	3.0	ns
$t_{s(HL)}$	HIGH to LOW settling time	full-scale square wave; see Figure 6	[6] -	1.5	3.0	ns

Table 6. Characteristics ...continued

$V_{CCA} = V3$ to $V4 = 4.75$ V to 5.25 V; $V_{CCD} = V11$ to $V12$ and $V28$ to $V27 = 4.75$ V to 5.25 V;
 $V_{CCO} = V13$ to $V14 = 3.0$ V to 5.25 V; AGND and DGND shorted together; $T_{amb} = 0$ °C to 70 °C; typical values measured at
 $V_{CCA} = V_{CCD} = 5$ V and $V_{CCO} = 3.3$ V; $C_L = 15$ pF and $T_{amb} = 25$ °C; unless otherwise specified.

Symbol	Parameter	Conditions	Min	Typ	Max	Unit
Harmonics ($f_{clk} = 40$ MHz); see Figure 7 and Figure 8						
α_{1H}	first harmonic level	$f_i = 4.43$ MHz	-	-	0	dB
α_{2H}	second harmonic level	$f_i = 4.43$ MHz	-	-70	-63	dB
α_{3H}	third harmonic level	$f_i = 4.43$ MHz	-	-72	-63	dB
THD	total harmonic distortion	$f_i = 4.43$ MHz	-	-61	-	dB
Signal-to-noise ratio ; see Figure 7 and Figure 8 ^[7]						
S/N	signal-to-noise ratio	full-scale: without harmonics; $f_{clk} = 40$ MHz; $f_i = 4.43$ MHz	55	58	-	dB
Effective bits ; see Figure 7 and Figure 8 ^[7]						
ENOB	effective number of bits	ADC1003S030TS; $f_{clk} = 30$ MHz				
		$f_i = 4.43$ MHz	-	9.4		bit
		$f_i = 7.5$ MHz	-	9.1		bit
		ADC1003S040TS; $f_{clk} = 40$ MHz;				
		$f_i = 4.43$ MHz	-	9.3	-	bit
		$f_i = 7.5$ MHz	-	9.0	-	bit
		$f_i = 10$ MHz	-	8.9	-	bit
		$f_i = 15$ MHz	-	8.1	-	bit
		ADC1003S050TS; $f_{clk} = 50$ MHz				
		$f_i = 4.43$ MHz	-	9.3	-	bit
		$f_i = 7.5$ MHz	-	8.9	-	bit
		$f_i = 10$ MHz	-	8.8	-	bit
		$f_i = 15$ MHz	-	8.0	-	bit
		Two-tone ^[8]				
α_{IM}	intermodulation suppression	$f_{clk} = 40$ MHz	-	-69	-	dB
Bit error rate						
BER	bit error rate	$f_{clk} = 50$ MHz; $f_i = 4.43$ MHz; $V_i = \pm 16$ LSB at code 512	-	10^{-13}	-	times/sample
Differential gain ^[9]						
G_{dif}	differential gain	$f_{clk} = 40$ MHz; PAL modulated ramp	-	0.8	-	%

Table 6. Characteristics ...continued

$V_{CCA} = V3$ to $V4 = 4.75$ V to 5.25 V; $V_{CCD} = V11$ to $V12$ and $V28$ to $V27 = 4.75$ V to 5.25 V;
 $V_{CCO} = V13$ to $V14 = 3.0$ V to 5.25 V; AGND and DGND shorted together; $T_{amb} = 0$ °C to 70 °C; typical values measured at
 $V_{CCA} = V_{CCD} = 5$ V and $V_{CCO} = 3.3$ V; $C_L = 15$ pF and $T_{amb} = 25$ °C; unless otherwise specified.

Symbol	Parameter	Conditions	Min	Typ	Max	Unit
Differential phase^[9]						
ϕ_{dif}	differential phase	$f_{clk} = 40$ MHz; PAL modulated ramp	-	0.4	-	deg
Timing ($f_{clk} = 40$ MHz; $C_L = 15$ pF); see Figure 4^[10]						
$t_{d(s)}$	sampling delay time		-	3	-	ns
$t_{h(o)}$	output hold time		4	-	-	ns
$t_{d(o)}$	output delay time	$V_{CCO} = 4.75$ V	-	10	13	ns
		$V_{CCO} = 3.15$ V	-	12	15	ns
C_L	load capacitance		-	-	15	pF
3-state output delay times; see Figure 5						
t_{dZH}	float to active HIGH delay time		-	5.5	8.5	ns
t_{dZL}	float to active LOW delay time		-	12	15	ns
t_{dHZ}	active HIGH to float delay time		-	19	24	ns
t_{dLZ}	active LOW to float delay time		-	12	15	ns

[1] In addition to a good layout of the digital and analog ground, it is recommended that the rise and fall times of the clock must not be less than 0.5 ns

[2] Analog input voltages producing code 0 up to and including code 1023:

- a) $V_{offset\ BOTTOM}$ is the difference between the analog input which produces data equal to 00 and the reference voltage on pin RB (V_{RB}) at $T_{amb} = 25$ °C.
- b) $V_{offset\ TOP}$ is the difference between reference voltage on pin RT (V_{RT}) and the analog input which produces data outputs equal to code 1023 at $T_{amb} = 25$ °C.

[3] In order to ensure the optimum linearity performance of such converter architecture the lower and upper extremities of the converter reference resistor ladder (corresponding to output codes 0 and 1023 respectively) are connected to pins RB and RT via offset resistors R_{OB} and R_{OT} as shown in Figure 3.

a) The current flowing into the resistor ladder is $I_L = \frac{V_{RT} - V_{RB}}{R_{OB} + R_L + R_{OT}}$ and the full-scale input range at the converter

to cover code 0 to code 1023, is $V_I = R_L \times I_L = \frac{R_L}{R_{OB} + R_L + R_{OT}} \times (V_{RT} - V_{RB}) = 0.848 \times (V_{RT} - V_{RB})$

b) Since R_L , R_{OB} and R_{OT} have similar behavior with respect to process and temperature variation, the ratio $\frac{R_L}{R_{OB} + R_L + R_{OT}}$ will

be kept reasonably constant from device to device. Consequently, variation of the output codes at a given input voltage depends mainly on the difference $V_{RT} - V_{RB}$ and its variation with temperature and supply voltage. When several ADCs are connected in parallel and fed with the same reference source, the matching between each of them is optimized.

[4] $E_G = \frac{(V_{1023} - V_0) - V_{i(P-P)}}{V_{i(P-P)}} \times 100$

[5] The analog bandwidth is defined as the maximum input sine wave frequency which can be applied to the device. No glitches greater than 2 LSB, neither any significant attenuation are observed in the reconstructed signal.

[6] The analog input settling time is the minimum time required for the input signal to be stabilized after a sharp full-scale input (square wave signal) in order to sample the signal and obtain correct output data.

- [7] Effective bits are obtained via a Fast Fourier Transform (FFT) treatment taking 8000 acquisition points per equivalent fundamental period. The calculation takes into account all harmonics and noise up to half of the clock frequency (Nyquist frequency). Conversion to signal-to-noise ratio: $SINAD = ENOB \times 6.02 + 1.76$ dB.
- [8] Intermodulation measured relative to either tone with analog input frequencies of 4.43 MHz and 4.53 MHz. The two input signals have the same amplitude and the total amplitude of both signals provides full-scale to the converter.
- [9] Measurement carried out using video analyzer VM700A, where the video analog signal is reconstructed through a digital-to-analog converter.
- [10] Output data acquisition: the output data is available after the maximum delay time of $t_{d(o)}$. For the 50 MHz version it is recommended to have the lowest possible output load.

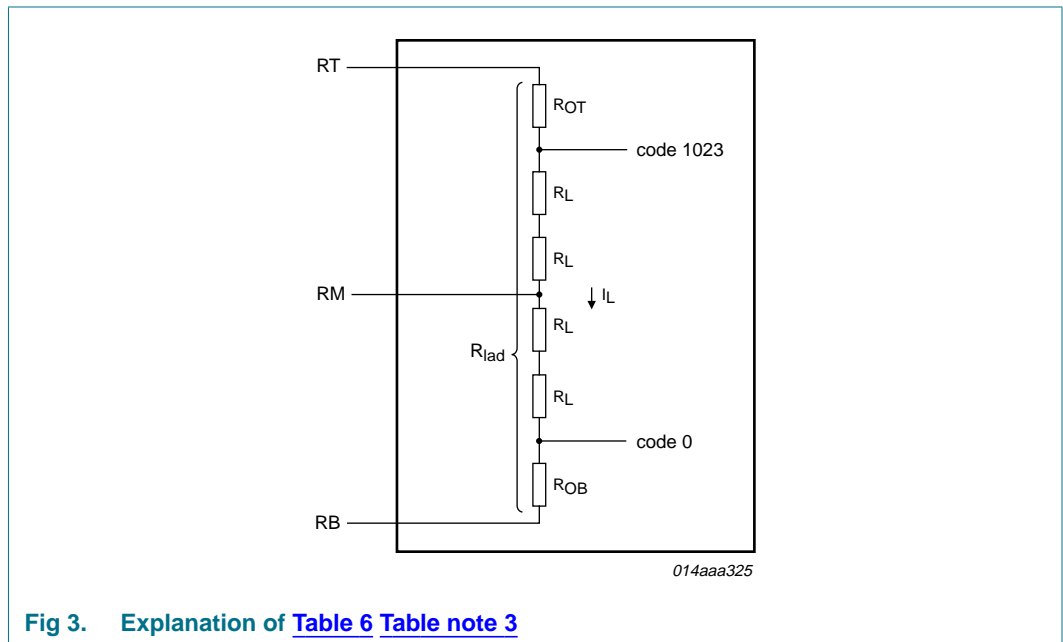


Fig 3. Explanation of Table 6 Table note 3

11. Additional information relating to Table 6

Table 7. Output coding and input voltage (typical values; referenced to AGND)

Code	$V_{i(a)(p-p)}$ (V)	IR	Binary outputs D9 to D0	Two's complement outputs D9 to D0
Underflow	< 1.455	0	00 0000 0000	10 0000 0000
0	1.455	1	00 0000 0000	10 0000 0000
1	-	1	00 0000 0001	10 0000 0001
↓	-	↓	↓	↓
511	2.43	↓	01 1111 1111	11 1111 1111
↓	-	↓	↓	↓
1022	-	11	11 1111 1110	01 1111 1110
1023	3.405	1	11 1111 1111	01 1111 1111
Overflow	> 3.405	0	11 1111 1111	01 1111 1111

Table 8. Mode selection

TC	OE	D9 to D0	IR
X	1	high impedance	high impedance
0	0	active; two's complement	active
1	0	active; binary	active

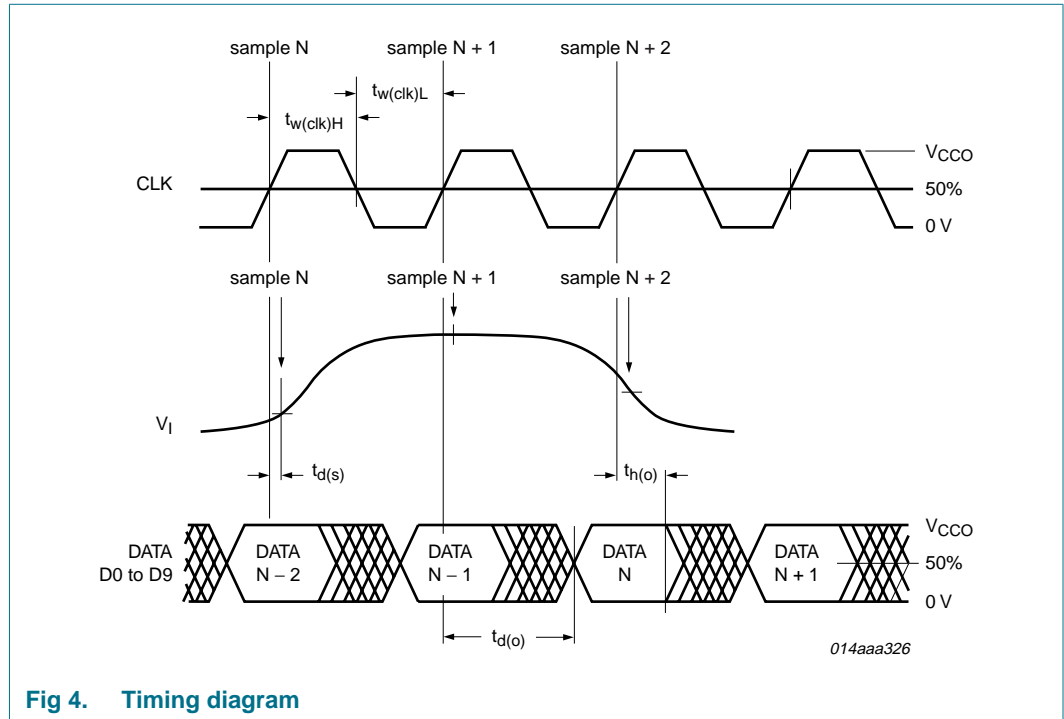
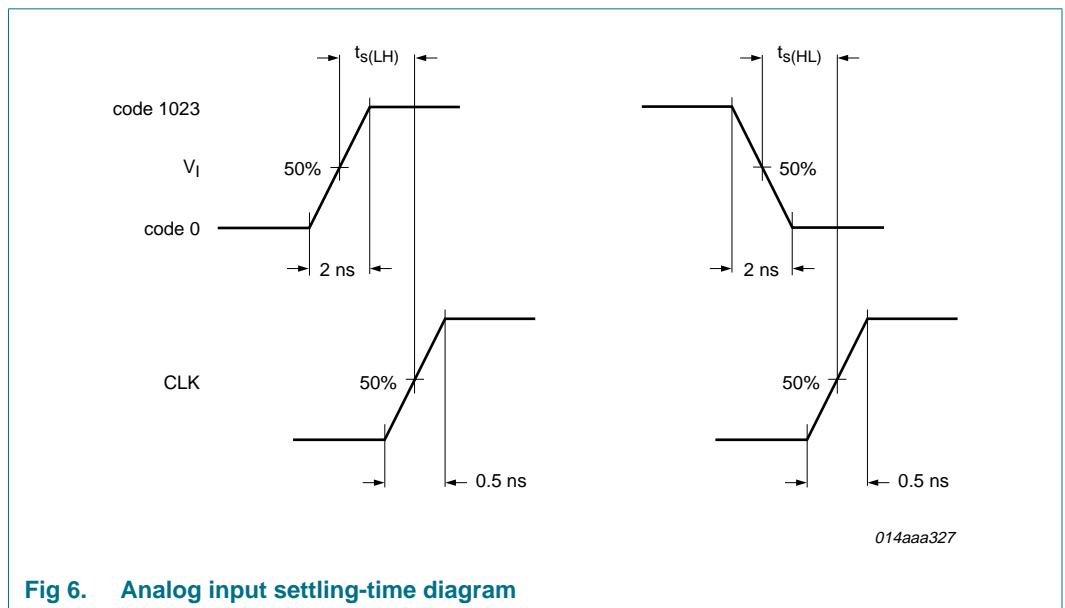
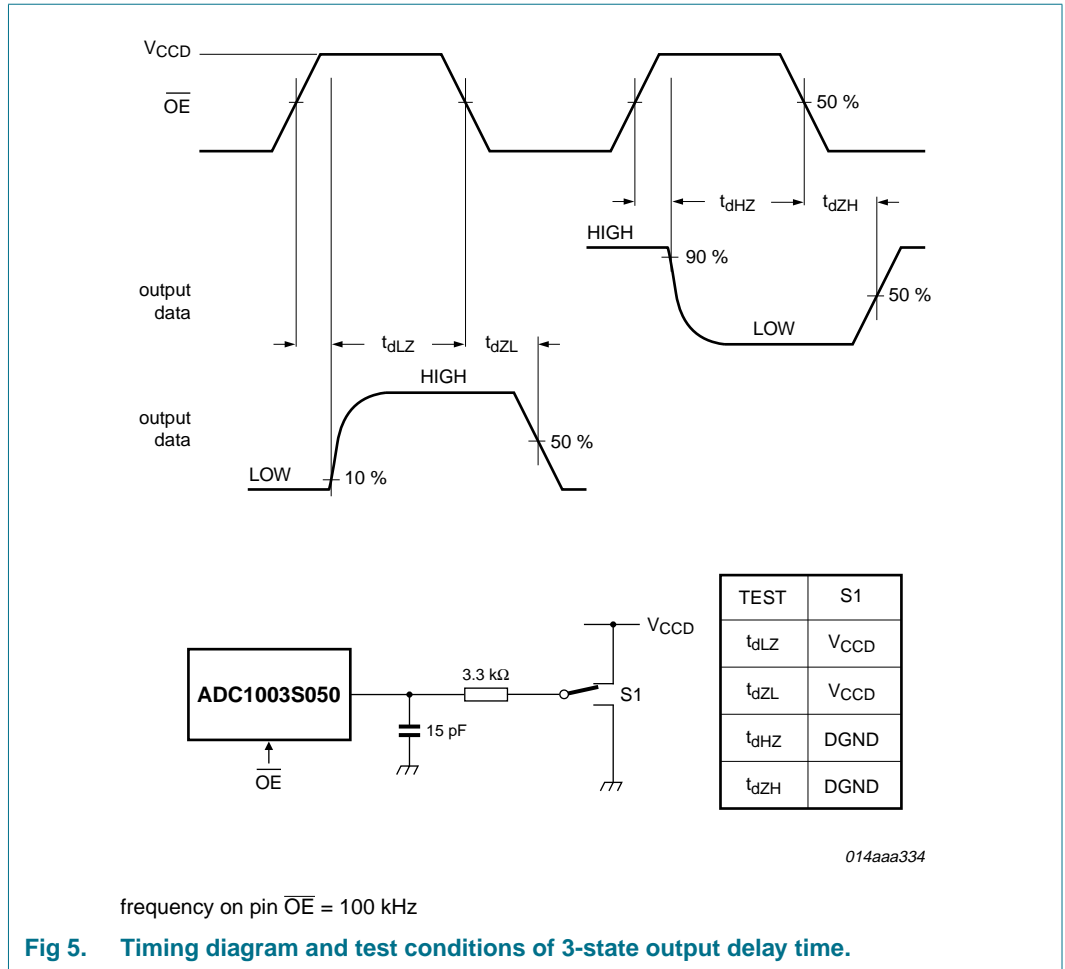
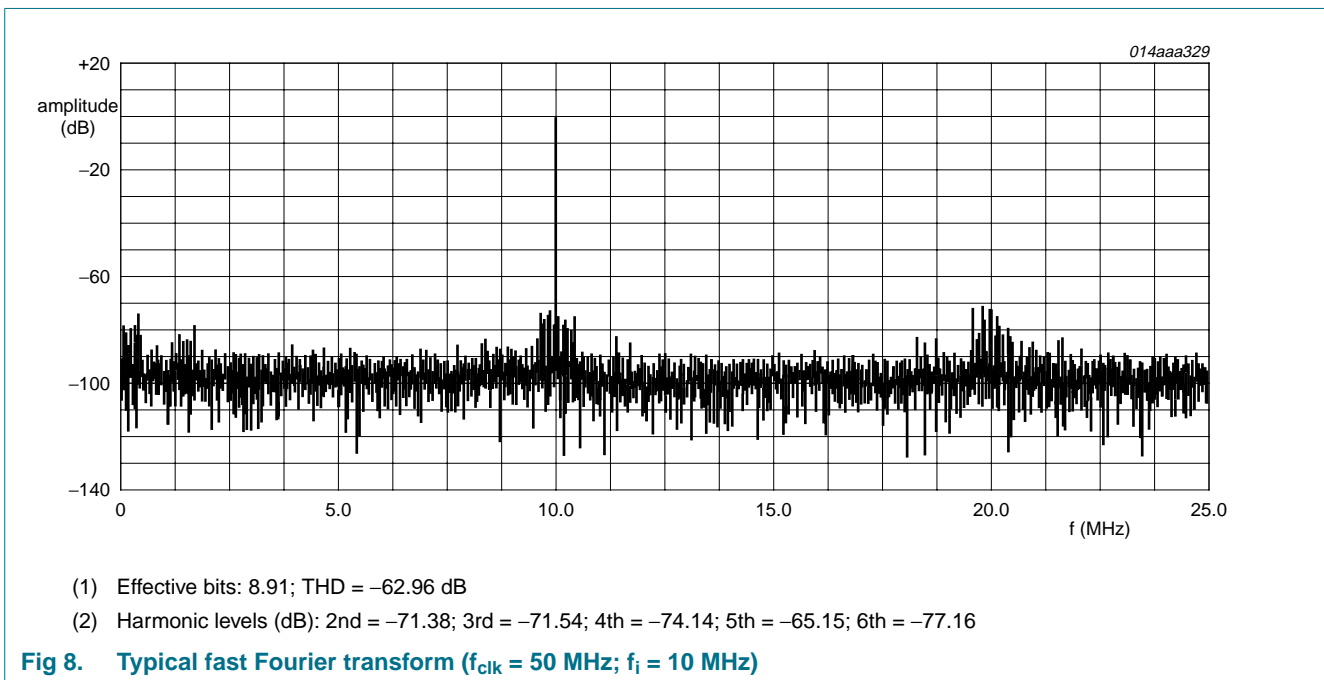
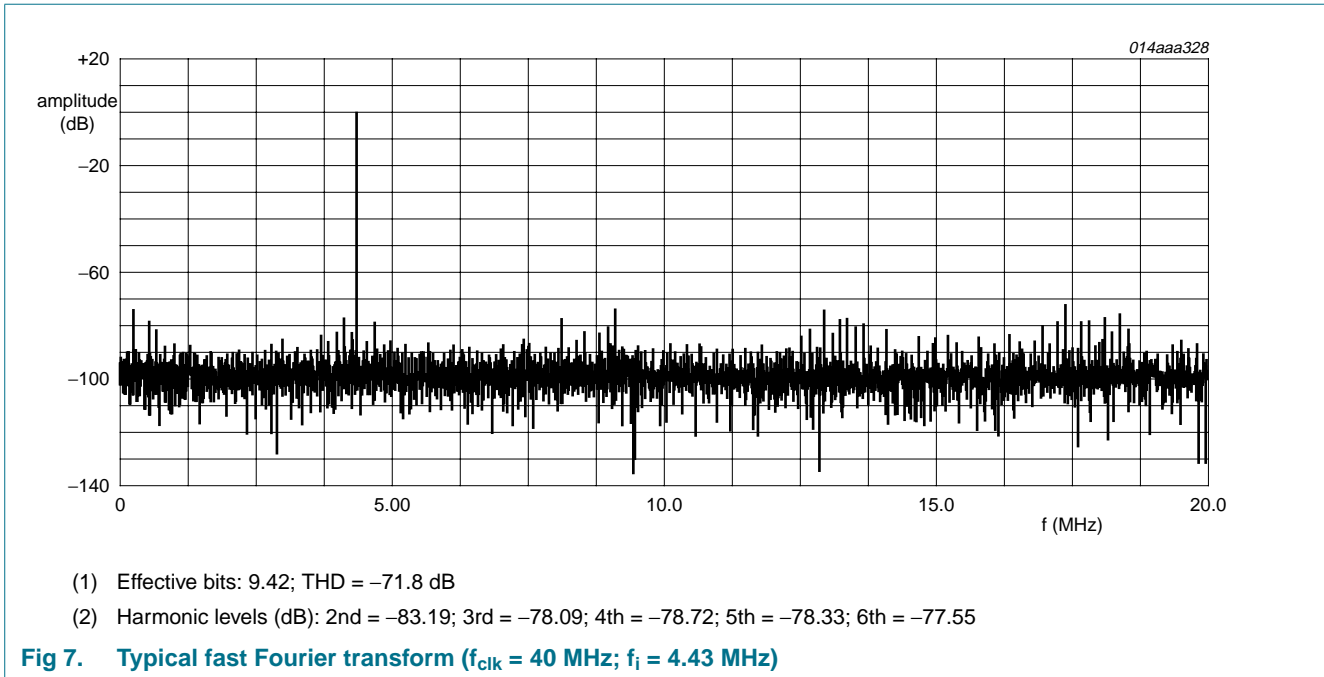
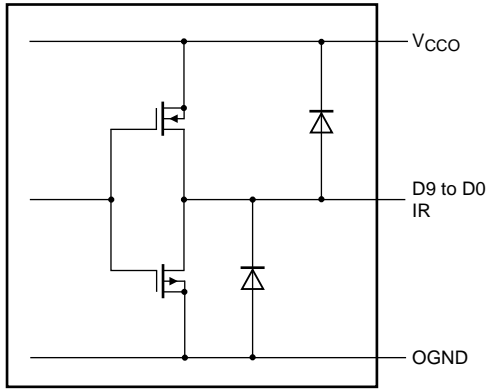


Fig 4. Timing diagram

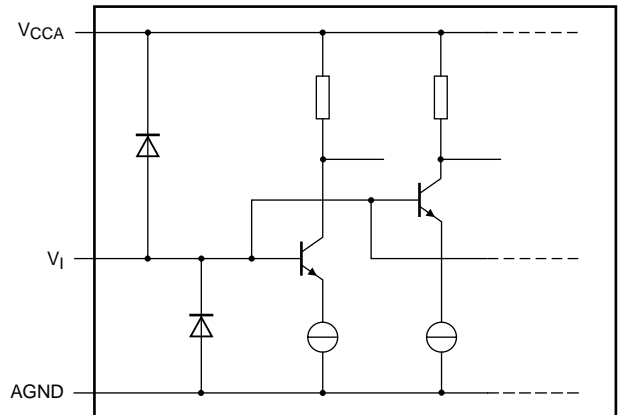






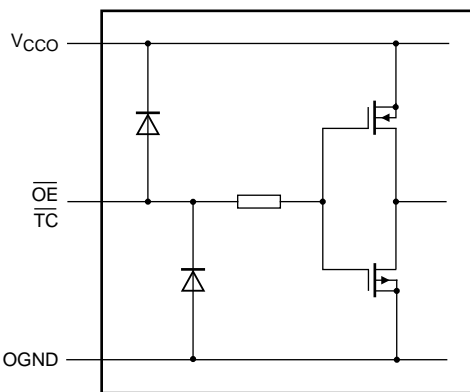
014aaa330

Fig 9. CMOS data and in-range outputs



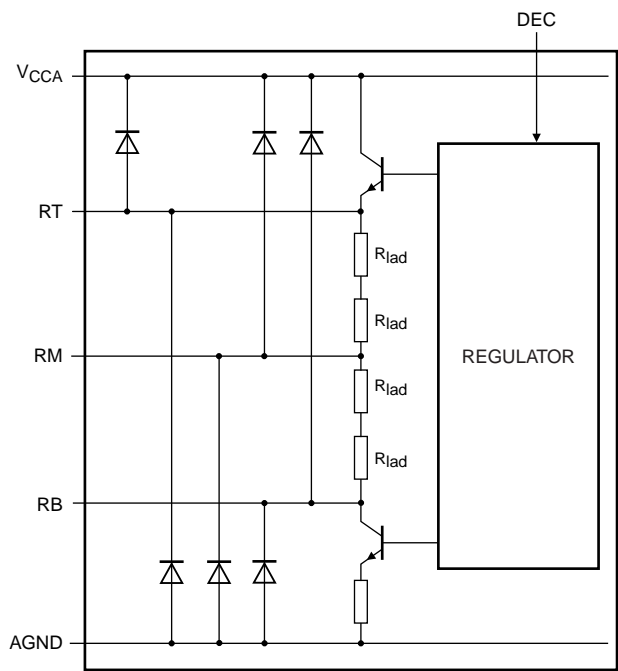
014aaa332

Fig 10. Analog inputs



014aaa323

Fig 11. OE and TC input



014aaa333

Fig 12. RB, RM and RT

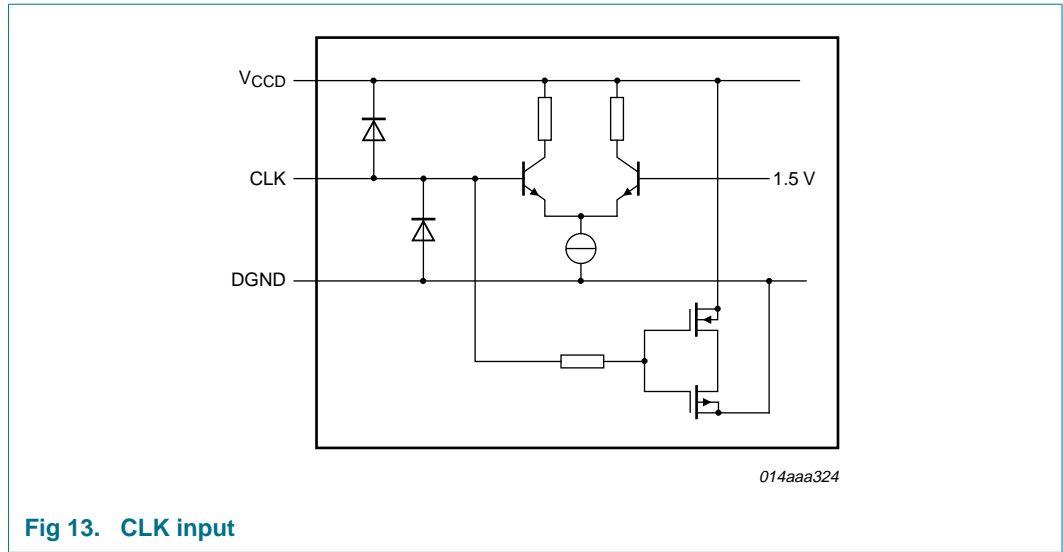
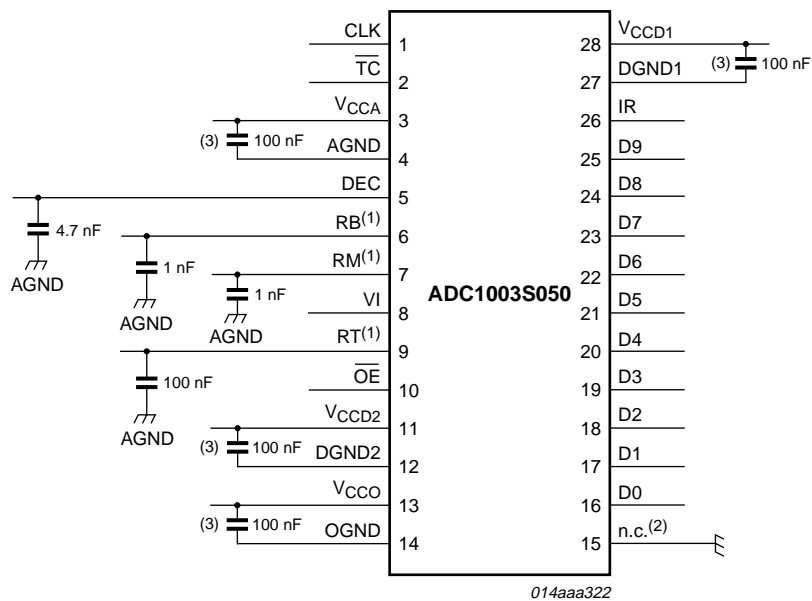


Fig 13. CLK input

12. Application information

12.1 Application diagram



The analog and digital supplies should be separated and well decoupled.

A user manual is available that describes the demonstration board that uses the ADC1003S030/040/050 family in an application environment.

- (1) RB, RM and RT are decoupled to AGND.
- (2) Pin 15 may be connected to DGND in order to prevent noise influence.
- (3) Decoupling capacitor for supplies: must be placed close to the device.

Fig 14. Application diagram

12.2 Alternative parts

The following alternative parts are also available:

Table 9. Alternative parts

Type number	Description		Sampling frequency
ADC1004S030	Single 10 bits ADC	[1]	30 MHz
ADC1004S040	Single 10 bits ADC	[1]	40 MHz
ADC1004S050	Single 10 bits ADC	[1]	50 MHz
ADC1005S060	Single 10 bits ADC	[1]	60 MHz
ADC0804S030	Single 8 bits ADC	[1]	30 MHz
ADC0804S040	Single 8 bits ADC	[1]	40 MHz
ADC0804S050	Single 8 bits ADC	[1]	50 MHz

[1] Pin to pin compatible

13. Package outline

SSOP28: plastic shrink small outline package; 28 leads; body width 5.3 mm

SOT341-1

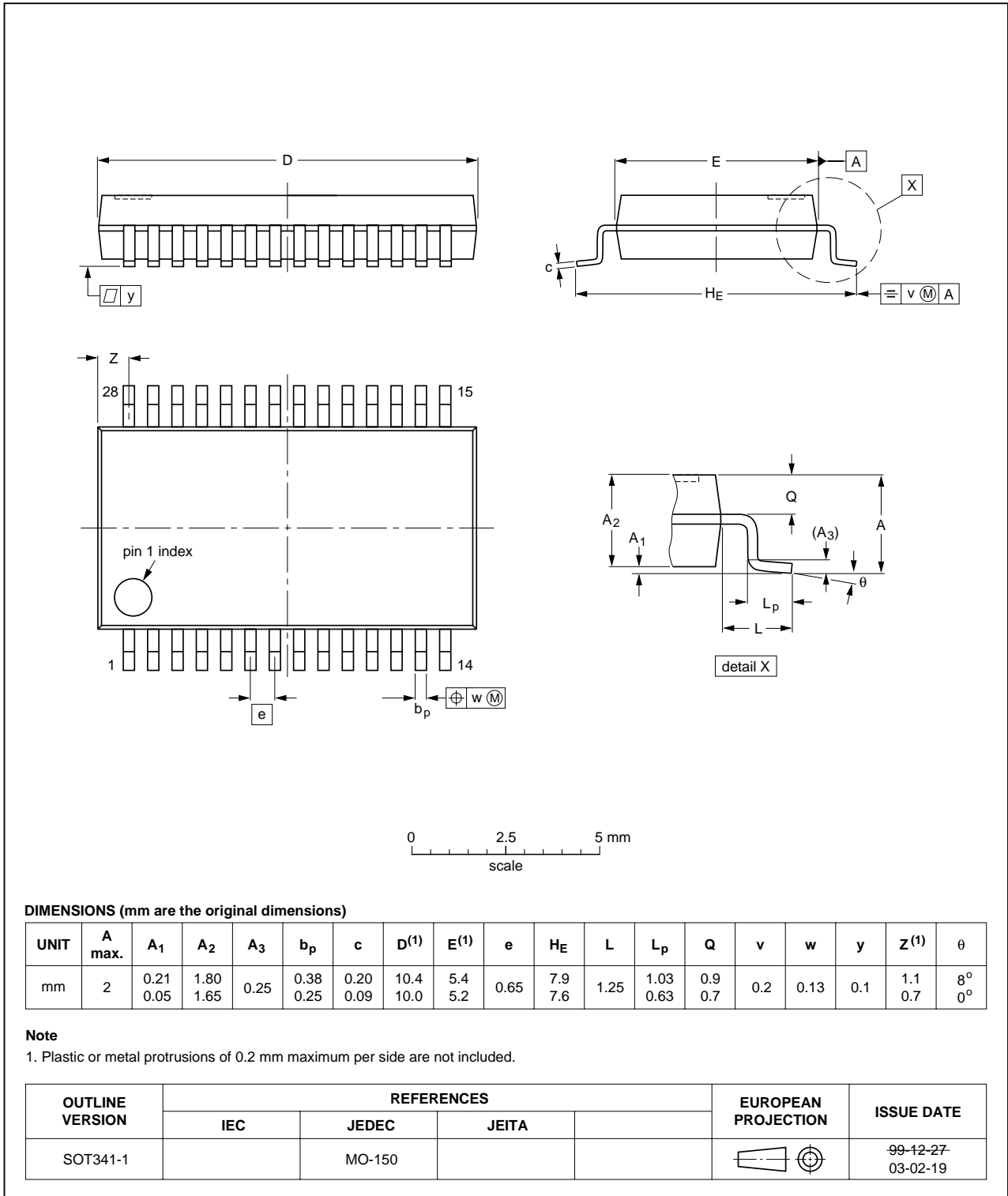


Fig 15. Package outline SOT341-1 (SSOP28)

14. Revision history

Table 10. Revision history

Document ID	Release date	Data sheet status	Change notice	Supersedes
ADC1003S030_040_050_2	20080807	Product data sheet	-	ADC1003S030_040_050_1
Modifications:				
				<ul style="list-style-type: none">• Corrections made to the values of ΔV_{CC} and the cross reference in subhead Reference voltages for the resistor ladder in Table 6.• Corrections made to the table notes in Figure 14.
ADC1003S030_040_050_1	20080611	Product data sheet	-	-

15. Legal information

15.1 Data sheet status

Document status ^{[1][2]}	Product status ^[3]	Definition
Objective [short] data sheet	Development	This document contains data from the objective specification for product development.
Preliminary [short] data sheet	Qualification	This document contains data from the preliminary specification.
Product [short] data sheet	Production	This document contains the product specification.

[1] Please consult the most recently issued document before initiating or completing a design.

[2] The term 'short data sheet' is explained in section "Definitions".

[3] The product status of device(s) described in this document may have changed since this document was published and may differ in case of multiple devices. The latest product status information is available on the Internet at URL <http://www.nxp.com>.

15.2 Definitions

Draft — The document is a draft version only. The content is still under internal review and subject to formal approval, which may result in modifications or additions. NXP Semiconductors does not give any representations or warranties as to the accuracy or completeness of information included herein and shall have no liability for the consequences of use of such information.

Short data sheet — A short data sheet is an extract from a full data sheet with the same product type number(s) and title. A short data sheet is intended for quick reference only and should not be relied upon to contain detailed and full information. For detailed and full information see the relevant full data sheet, which is available on request via the local NXP Semiconductors sales office. In case of any inconsistency or conflict with the short data sheet, the full data sheet shall prevail.

15.3 Disclaimers

General — Information in this document is believed to be accurate and reliable. However, NXP Semiconductors does not give any representations or warranties, expressed or implied, as to the accuracy or completeness of such information and shall have no liability for the consequences of use of such information.

Right to make changes — NXP Semiconductors reserves the right to make changes to information published in this document, including without limitation specifications and product descriptions, at any time and without notice. This document supersedes and replaces all information supplied prior to the publication hereof.

Suitability for use — NXP Semiconductors products are not designed, authorized or warranted to be suitable for use in medical, military, aircraft, space or life support equipment, nor in applications where failure or malfunction of an NXP Semiconductors product can reasonably be expected to result in personal injury, death or severe property or environmental

damage. NXP Semiconductors accepts no liability for inclusion and/or use of NXP Semiconductors products in such equipment or applications and therefore such inclusion and/or use is at the customer's own risk.

Applications — Applications that are described herein for any of these products are for illustrative purposes only. NXP Semiconductors makes no representation or warranty that such applications will be suitable for the specified use without further testing or modification.

Limiting values — Stress above one or more limiting values (as defined in the Absolute Maximum Ratings System of IEC 60134) may cause permanent damage to the device. Limiting values are stress ratings only and operation of the device at these or any other conditions above those given in the Characteristics sections of this document is not implied. Exposure to limiting values for extended periods may affect device reliability.

Terms and conditions of sale — NXP Semiconductors products are sold subject to the general terms and conditions of commercial sale, as published at <http://www.nxp.com/profile/terms>, including those pertaining to warranty, intellectual property rights infringement and limitation of liability, unless explicitly otherwise agreed to in writing by NXP Semiconductors. In case of any inconsistency or conflict between information in this document and such terms and conditions, the latter will prevail.

No offer to sell or license — Nothing in this document may be interpreted or construed as an offer to sell products that is open for acceptance or the grant, conveyance or implication of any license under any copyrights, patents or other industrial or intellectual property rights.

Quick reference data — The Quick reference data is an extract of the product data given in the Limiting values and Characteristics sections of this document, and as such is not complete, exhaustive or legally binding.

15.4 Trademarks

Notice: All referenced brands, product names, service names and trademarks are the property of their respective owners.

16. Contact information

For more information, please visit: <http://www.nxp.com>

For sales office addresses, please send an email to: salesaddresses@nxp.com

17. Contents

1	General description	1
2	Features	1
3	Applications	1
4	Quick reference data	2
5	Ordering information	2
6	Block diagram	3
7	Pinning information	4
7.1	Pinning	4
7.2	Pin description	4
8	Limiting values	5
9	Thermal characteristics	5
10	Characteristics	6
11	Additional information relating to Table 6 ...	10
12	Application information	15
12.1	Application diagram	15
12.2	Alternative parts	16
13	Package outline	17
14	Revision history	18
15	Legal information	19
15.1	Data sheet status	19
15.2	Definitions	19
15.3	Disclaimers	19
15.4	Trademarks	19
16	Contact information	19
17	Contents	20

Please be aware that important notices concerning this document and the product(s) described herein, have been included in section 'Legal information'.

founded by

PHILIPS

© NXP B.V. 2008.

All rights reserved.

For more information, please visit: <http://www.nxp.com>

For sales office addresses, please send an email to: salesaddresses@nxp.com

Date of release: 7 August 2008

Document identifier: ADC1003S030_040_050_2